

ASB

Form Your Vision

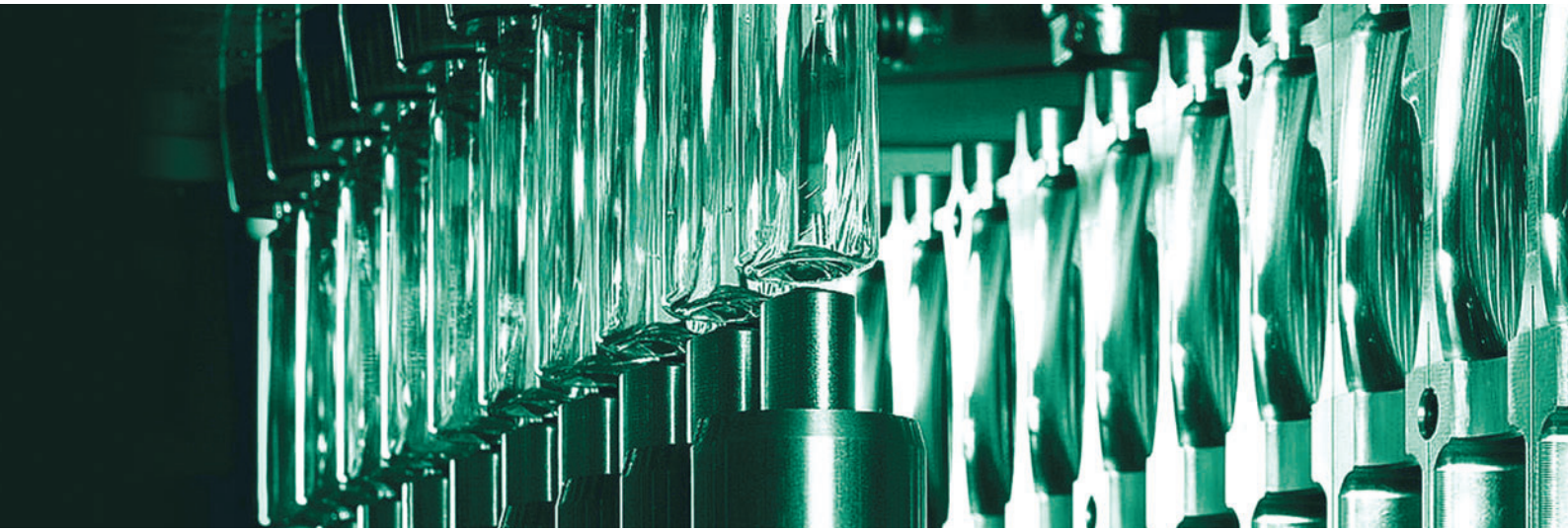
One-Step Injection Stretch Blow Molding Machine

ASB Series

ASB-70DPH ASB-70DPW

Versatile Machine for Jars,
Small to Medium Sized Bottles

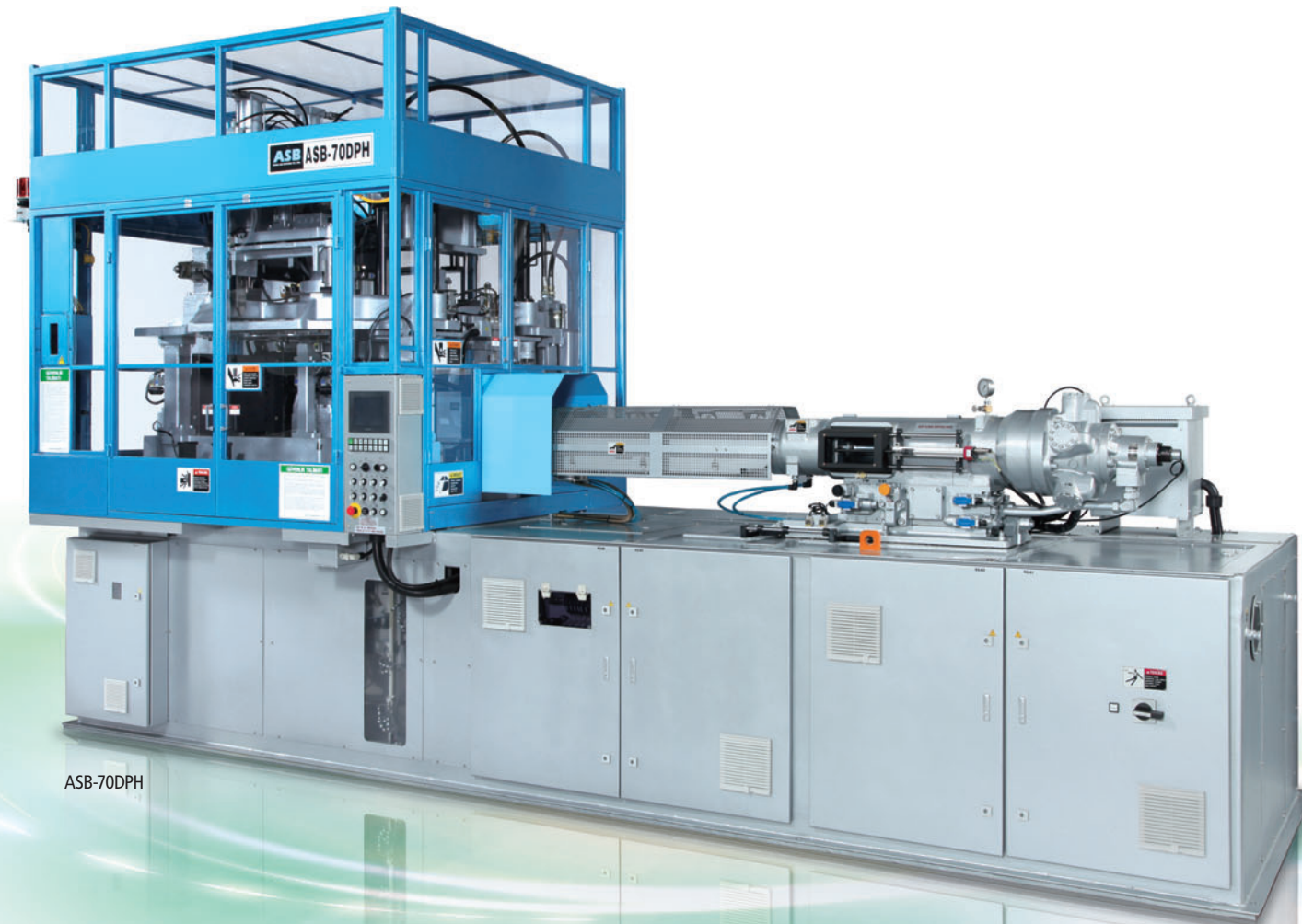
Mass Production of Small Containers



ASB-70DPH

ASB-70DPH ASB-70DPW

One-Step Injection Stretch Blow Molding Machine



ASB-70DPH



70 ton Injection Clamping Force

COMPACT · VERSATILE · EFFICIENT Best Selling Models from the ASB Series.

The Greatest Versatility from a Single Machine.

The ASB Series are one-step stretch molding machines with excellent molding flexibility supplying the greatest cost efficiency for their users.

The ASB-70DP model range can trace its origins back to 1986 and with continual improvements now exists as the ASB-70DPH v4 and ASB-70DPW v3.

Compact, flexible and efficient, the ASB-70DP Series are the best selling machines in their class with over 1,000 units having been delivered to our customers all around the world.

Superior Versatility

Utilizing its variable cavitation design, the ASB-70DPH is highly versatile and capable of producing an extensive range of containers from small bottles to large, wide mouth jars: from min. 5 ml (12 cavities, ϕ 9mm) to max. 10L*1 (1 cavity, ϕ 154mm) containers. *1: Square container

Excellent Capability and Operation Performance

At 70 tons (686kN), the injection mold clamping force is the highest in its class. The injection controller provides excellent repeatability of molding conditions.

Clean Production Environment

Electric motor drive is used to index the lip cavities, eliminating the need for hydraulic function above the products, making these machines ideal for molding containers for foods and pharmaceuticals.

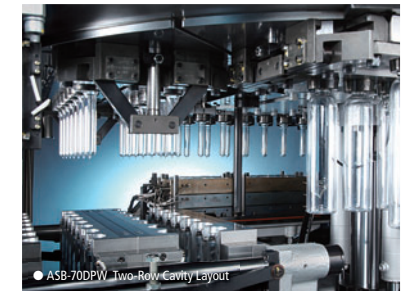
Reduced Power Consumption

By reviewing the machine architecture, the power consumption of the ASB-70DPH v4 has been reduced to 40%*2 less than the previous model.

*2: This figure is for reference. Actual power consumption depends on the mold and the molding cycle time.

Compact, High Output, Double-Row Molding - ASB-70DPW

Utilizing a two-row cavity layout, the ASB-70DPW can produce small mineral water, toiletry or medicine containers up to 700ml capacity with high outputs. Up to 24 cavities of smaller containers are possible in a very compact machine giving production rates as high as 8,000bph.



ASB-70DPW Two-Row Cavity Layout

Air Recycling System (Option)

By means of the optional air recycling system, exhausted blow air can be recycled for use as the operation air.

Machine Specification	Unit	ASB-70DPH v4
Standard Screw Diameter (ϕ)	mm	54
Theoretical Injection Capacity	cm ³	366*3
Injection Clamping Force	kN	687
Blow Clamping Force	kN	242
Driving Power (Rated)	kW	33
Heater Capacity (Rated)	kW	25.8*4
Oil Reservoir Capacity	L	600
Machine Size (L×W×H)	mm	5,643 × 1,896 × 3,208
Machine Weight (Approx.)	ton	9.0

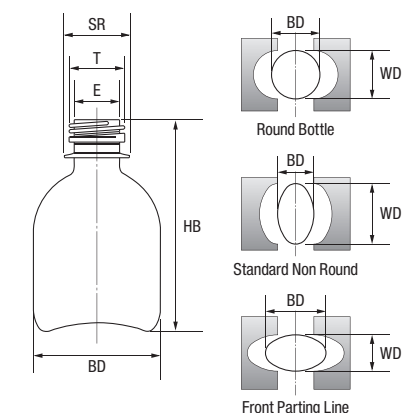
Machine Specification	Unit	ASB-70DPW v3
Standard Screw Diameter (ϕ)	mm	64
Theoretical Injection Capacity	cm ³	515*3
Injection Clamping Force	kN	687
Blow Clamping Force	kN	245
Driving Power (Rated)	kW	48
Heater Capacity (Rated)	kW	41.5*4
Oil Reservoir Capacity	L	600
Machine Size (L×W×H)	mm	5,634 × 1,932 × 3,458
Machine Weight (Approx.)	ton	9.0

Products Specification	Unit	ASB-70DPH v4											
		1	2	3	4	5	6	7	8	(9)	10	(12)	
Cavity Number	cavity	10	4.5	3.5(4.5)	3	1.8	1	0.6	0.4	(0.35)	0.25	(0.1)	
Max. Capacity	L	149(158)	120	99(111)	95	73(77)	57(60)	42	36	(34)	27	(18)	
Max. Thread Diameter	T	mm	149(158)	118	96(108)	93	70(74)	55(57)	40	34	(32)	25	(16)
Max. Neck Diameter	E	mm	149(158)	120	99(111)	94	73(77)	58(60)	42	36	(36)	27	(18)
Max. Support Ring Diameter	SR	mm	149(158)	120	99(111)	94	73(77)	58(60)	42	36	(36)	27	(18)
Max. Body Diameter	BD	mm	204	153	130	120	99	79	66(68)	54	(53)	45	(37)
Max. Width Parting Line	WD	mm	-	-	-(147)	123	99(101)	79	66(68)	54	(53)	45	(37)
Max. Height	HB	mm	350	350	350	350	350	350	350	350	(350)	350	(350)
Max. Weight *5	g	311	156	104	78	62	52	44	39	(35)	31	(26)	

Products Specification	Unit	ASB-70DPW v3							
		8	(10)	12	(14)	16	20	(24)	
Cavity Number	cavity	0.7	(0.7)	0.7	(0.6)	0.4	0.25	(0.1)	
Max. Capacity	L	57	(56)	47	(38)	32	26	(24)	
Max. Thread Diameter	T	mm	57	(56)	47	(38)	32	26	(24)
Max. Neck Diameter	E	mm	55	(54)	45	(36)	30	24	(22)
Max. Support Ring Diameter	SR	mm	57	(56)	47	(42)	32	26	(24)
Max. Body Diameter	BD	mm	70	(70)	70	(66)	54	45	(37)
Max. Width Parting Line	WD	mm	113	(93)	79	(66)	54	45	(37)
Max. Height	HB	mm	235	(235)	235	(235)	235	235	(235)
Max. Weight *5	g	55	(44)	36	(31)	27	22	(18)	

● Specifications are subject to change without any obligation on the part of the manufacturer.
*3: This is considering the standard screw.
*4: Depends on container specification, number of cavities and mold.

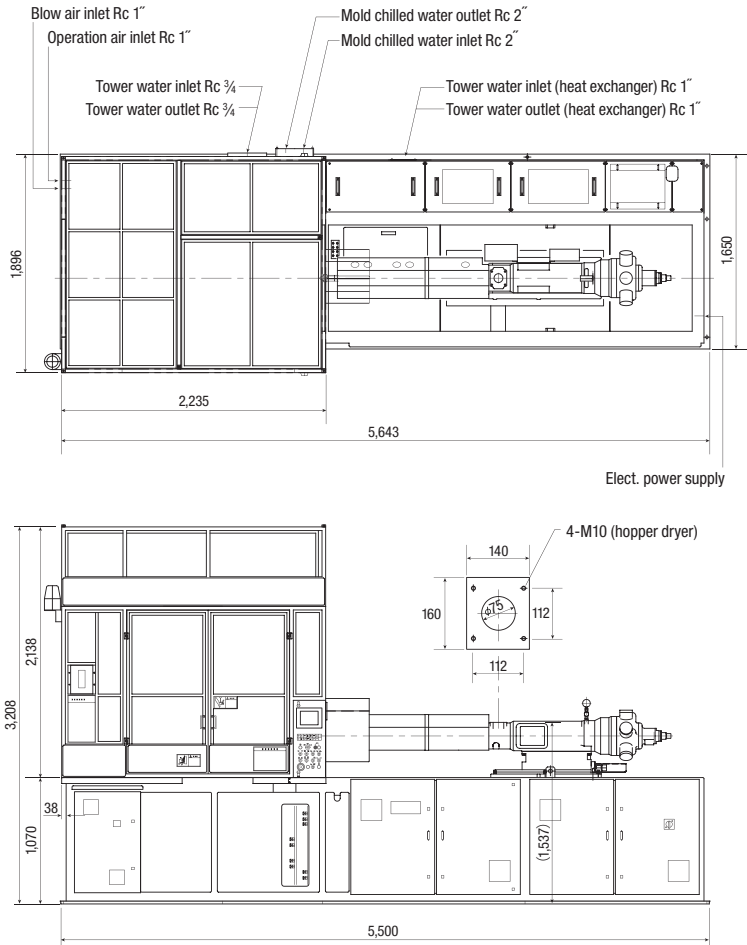
● All figures are subject to container configuration. ● () Optional feature *5: Using standard (ASB-70DPH: B-Screw, ASB-70DPW: C-Screw) and PET



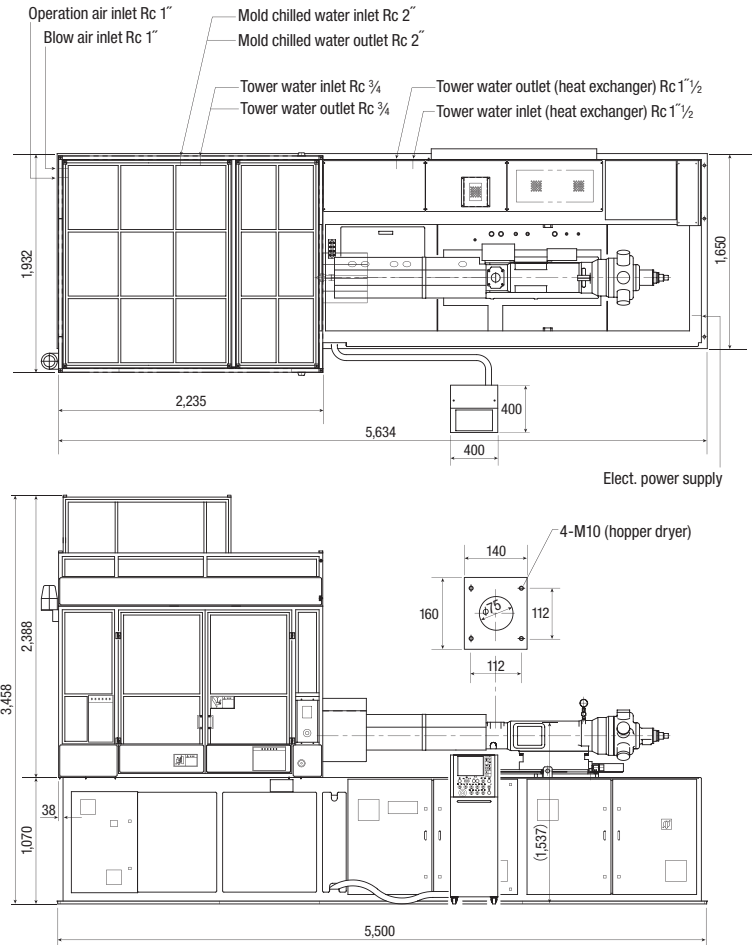
Typical Containers

- Applications :
Cosmetics, pharmaceuticals, infusion bottles, detergent, mouth wash, baby feeding bottles, spice, salad dressing, food, liquor, PET Can, mineral water, industrial containers (e.g. photocopy toner container) etc.
- Molding Materials :
PET, PP, PC, PEN, PS, recycled PET, PLA etc.
- Shapes :
Plain round, non-round, wide-mouth, oval, ultra-light, thick-wall etc.

ASB-70DPH



ASB-70DPW



NISSEI ASB MACHINE CO., LTD.

4586-3 Koo, Komoro-Shi, Nagano-Ken 384-8585, JAPAN
 TEL: 81 (267) 23-1565
 FAX: 81 (267) 23-1564
 E-Mail: sales@nisseiasb.co.jp
www.nisseiasb.co.jp/en/



www.youtube.com/user/NisseiASBMachine

Head Office and Factory
NISSEI ASB MACHINE CO., LTD.
 4586-3 Koo, Komoro-shi, Nagano-ken 384-8585, JAPAN
 TEL: 81 (267) 23-1565 FAX: 81 (267) 23-1564
 E-Mail: sales@nisseiasb.co.jp

U. S. A. and Canada
NISSEI ASB COMPANY
 125 Westlake Parkway Suite 120, Atlanta, Georgia 30336 U.S.A.
 TEL: 1 (404) 699-7755 FAX: 1 (404) 696-9009
 E-Mail: sales@asbcenroamerica.com

Mexico, Central America
NISSEI ASB CENTRO AMERICA, S.A. DE C.V.
 Torres Adalid 618 1er Piso, Col. Del Valle C.P. 03100, México, D.F., MEXICO
 TEL: 52 (555) 669-00-69 FAX: 52 (555) 669-16-45
 E-Mail: info@asbcenroamerica.com

South America
NISSEI ASB SUDAMERICA LTDA.
 Av. Queiroz Filho nº 1.700 – Edifício Sky Tower – Conjunto 108
 Bairro Alto de Pinheiros – São Paulo – SP CEP: 05319-000, BRAZIL
 TEL: 55 (11) 3641-5353 FAX: 55 (11) 3831-9948
 E-Mail: sales@nisseiasb.com.br

UK and Ireland
NISSEI ASB LIMITED
 2 Milnyard Square, Bakewell Road, Orton Southgate,
 Peterborough PE2 6GX, UK.
 TEL: 44 (1733) 233544 FAX: 44 (1733) 235647
 E-Mail: sales@nisseiasb.co.uk

Europe, CIS, Turkey and Egypt
NISSEI ASB GmbH
 Mündelheimer Weg 58, 40472 Düsseldorf, GERMANY
 TEL: 49 (211) 94104-0 FAX: 49 (211) 94104-39
 E-Mail: nissei@nisseiasb.de

Iberia, Italy and Maghreb
NISSEI ASB MEDITERRANEA, S.L.U.
 Polígono Industrial Vallegón Pabellón 38, 39709
 Samano (Cantabria), SPAIN
 TEL: 34 (942) 87-1016 FAX: 34 (942) 86-7922
 E-Mail: nisseiasb@nisseiasbmediterranea.com

Middle East and Central Africa
NISSEI ASB FZE
 Jebel Ali Free Zone (South) Warehouse No. FZS1B-H06
 P.O. Box: 16789, Dubai, U.A.E.
 TEL: 971 (4) 8860919 FAX: 971 (4) 8860918
 E-Mail: asbuae@emirates.net.ae

NISSEI ASB AFRICA LIMITED
 Novel House, Plot 3, Block J, Otunba Jobi Fele Way,
 Alausa CBD, Ikeja, Lagos, NIGERIA
 TEL: 234 (1) 8448167
 E-Mail: ASB_Africa@asbfze.ae

South & West Asia, Oceania, and Southern Africa
NISSEI ASB PTE. LTD.
 85 Science Park Drive #01-03 The Cavendish
 Singapore Science Park I SINGAPORE 118259
 TEL: 65-6778-4633 FAX: 65-6778-9440
 E-Mail: sales@nisseiasb.com.sg

ASB PTE (THAILAND) CO., LTD.
 124 Soi 1 Sukhumvit 62 Sukhumvit Road Bangchak Prakanong
 Bangkok 10260 THAILAND
 TEL: 66 (2) 311-7556/7557/7558 FAX: 66 (2) 741-7295
 E-Mail: asbpte@trueamail.com.th

NISSEI ASB SOUTH AFRICA (Pty) LTD.
 97 Sovereign Drive, Route 21 Corporate Park, Nelmaprice Drive,
 Irene Ext.30, 0062, 0157, SOUTH AFRICA
 TEL: 27 (12) 345-4924 FAX: 27 (12) 345-5667
 E-Mail: sales@nisseiasb.co.za

PT. ASB INDONESIA
 Jl. Pangeran Jayakarta, No. 26, Block A-18, Jakarta Pusat 10730,
 INDONESIA
 TEL: 62 (21) 629-7978/5018 FAX: 62 (21) 629-5010
 E-Mail: asbindonesia@cbn.net.id

PHILIPPINES Office
 Unit 1703 Annapolis Wilshire Plaza No.11 Annapolis Street,
 Greenhills San Juan, Metro Manila, PHILIPPINES 1500
 TEL: 63 (2) 725-4220 FAX: 63 (2) 725-4203
 E-Mail: nisseiasb@smartbroadband.net.ph

VIETNAM Office
 Suite 601 6th Floor, Zen Plaza 54-56 Nguyen Trai Street,
 Dist. 1, Ho Chi Minh City, VIETNAM
 TEL: 84 (8) 3925-1008 FAX: 84 (8) 3925-1009
 E-Mail: nisseiasb@vnn.vn

INDIA BRANCH Office
 309-311, Ansal Chambers-II 6, Bhikaji Cama Place,
 New Delhi 110 066, INDIA
 TEL: 91 (11) 2618-1615/2619-4031 FAX: 91 (11) 2619-4129
 E-Mail: asbdel@asbi.co.in

PAKISTAN Office
 401, Progressive Square 11-A, Block-6, P.E.C.H.S. Karachi 75400,
 PAKISTAN
 TEL: 92 (21) 3454-6533 FAX: 92 (21) 3453-7469
 E-Mail: asbpakistan@gmail.com

AUSTRALIA Office
 PO Box 1252, Camberwell, Victoria, 3124 AUSTRALIA
 TEL: 61 (418) 312-386
 E-Mail: asbaust@alphalink.com.au

SHANGHAI ASB TRADE CO., LTD.
 Room 1109, 339-1 Jiuxin Rd., Jiuting, Songjiang District,
 Shanghai 201615, CHINA
 TEL: 86 (21) 5763-0233 FAX: 86 (21) 5763-0699
 E-Mail: sales@shasb.com

ASB INTERNATIONAL PVT. LTD.
 E-9, MIDC, Industrial Area, Anand Nagar, Addl. Ambarnath,
 District-Thane-421506, Maharashtra, INDIA
 TEL: 91 (251) 262-5000/648-5070 FAX: 91 (251) 262-5035/5055
 E-Mail: sales@asbi.co.in